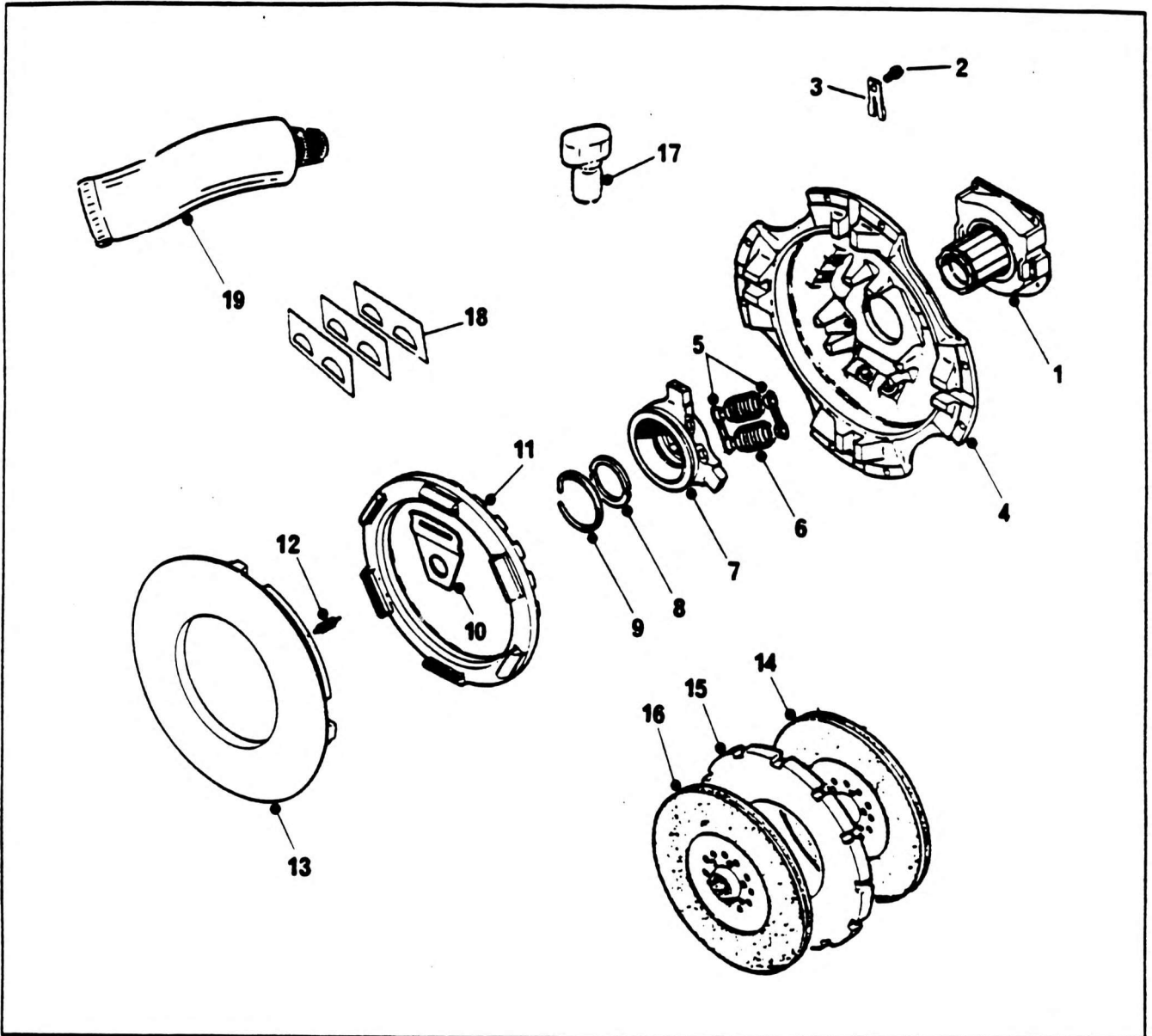


= 7 316 990036

CLUTCH KIT



NO.	PART NO.	QTY.	DESCRIPTION	NO.	PART NO.	QTY.	DESCRIPTION
-	7-316-990026	1	Complete Assembly	12*	-	4	Return Spring
*	9-316-100401	1	Small Parts Kit	13	9-316-990046	1	Pressure Plate
@	9-316-100402	1	Adjusting Ring Kit	14	7-388-995001	1	Rear Driven Disc
-	7-258-995000	1	Cover Assembly Includes Items 1 to 13	15	7-705-995000	1	Intermediate Plate
1	9-316-100399	1	Release Bearing Assembly	16	7-388-995000	1	Front Driven Disc
2 *	-	1	Bolt	17	7-689-995004	1set	Drive Pin
3 *	-	1	Lockstrap	18	7-834-995005	1set	Anti-Rattle Springs
4	9-316-990053	1	Flywheel Ring	19*	-	1	Grease Pack
5 *	-	6	Spring Pivot				
6	9-316-100400	6	Pressure Spring				
7	9-316-990052	1	Retainer				
8 *	-	2	Lock Ring				
9 *	-	1	Snap Ring				
10@	-	6	Lever				
11@	-	1	Adjusting Ring				

7-316-990026

Issue No. 00